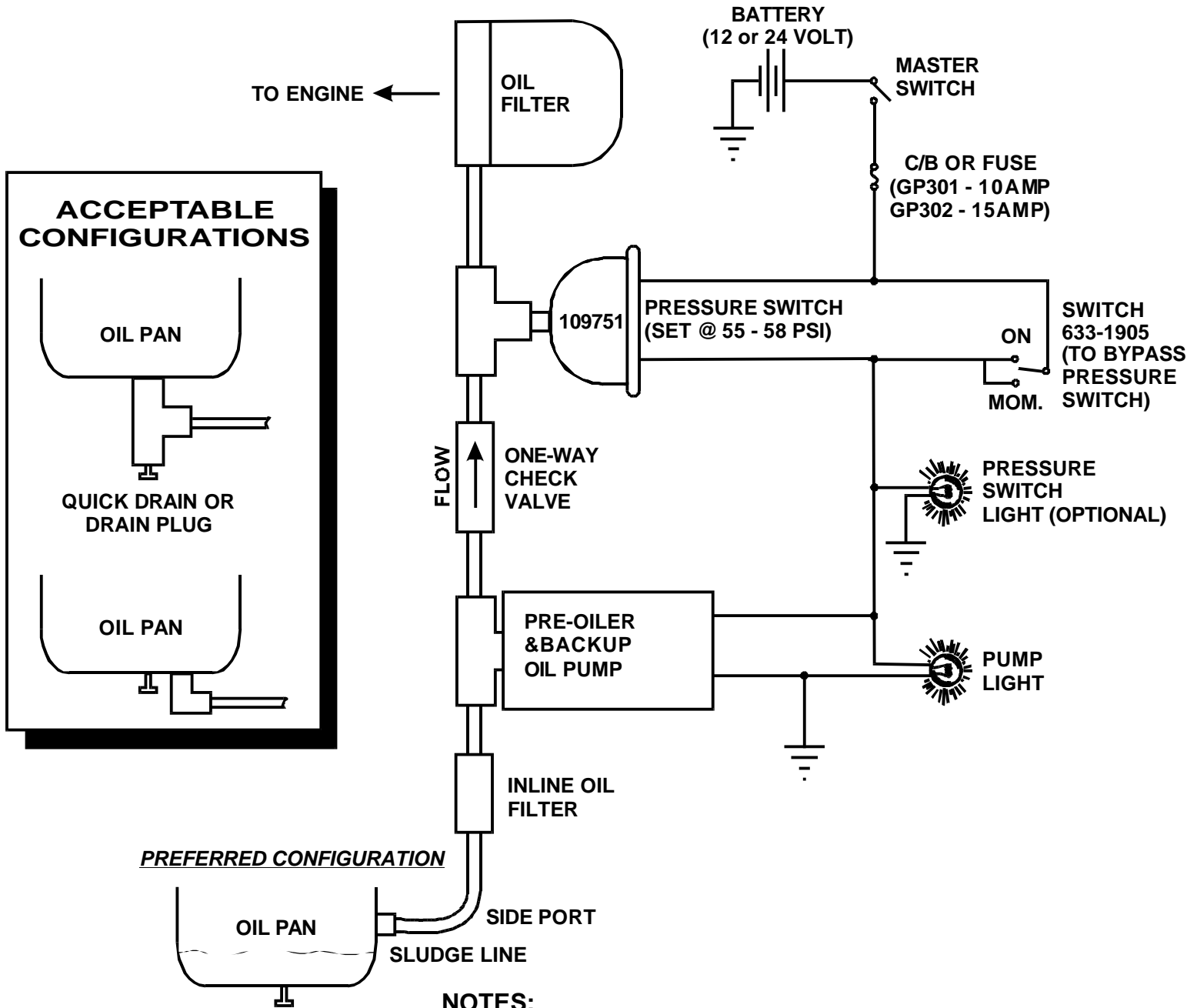


# PRE-OILER AND BACKUP OIL PUMP CONNECTION DIAGRAM



## NOTES:

1. USE 1/2" I.D. LINES AND HOSES.  
3/8" I.D. IS ACCEPTABLE FOR VERY SHORT DISTANCES
2. ONE-WAY 1/2" I.D. CHECK VALVE MAY BE OBTAINED FROM, [WWW.STRATAFLO.COM](http://WWW.STRATAFLO.COM) NAPA, OR YOUR CHOICE OF VENDORS.
3. USE A FILTER EITHER IN THE OIL PAN OR IN LINE WITH THE PREOILER.
4. WHILE YOU CAN MOUNT THE PUMP HORIZONTALLY, VERTICALLY WITH THE PUMP DOWN IS THE PREFERRED WAY.